

• 超高温楔式闸阀

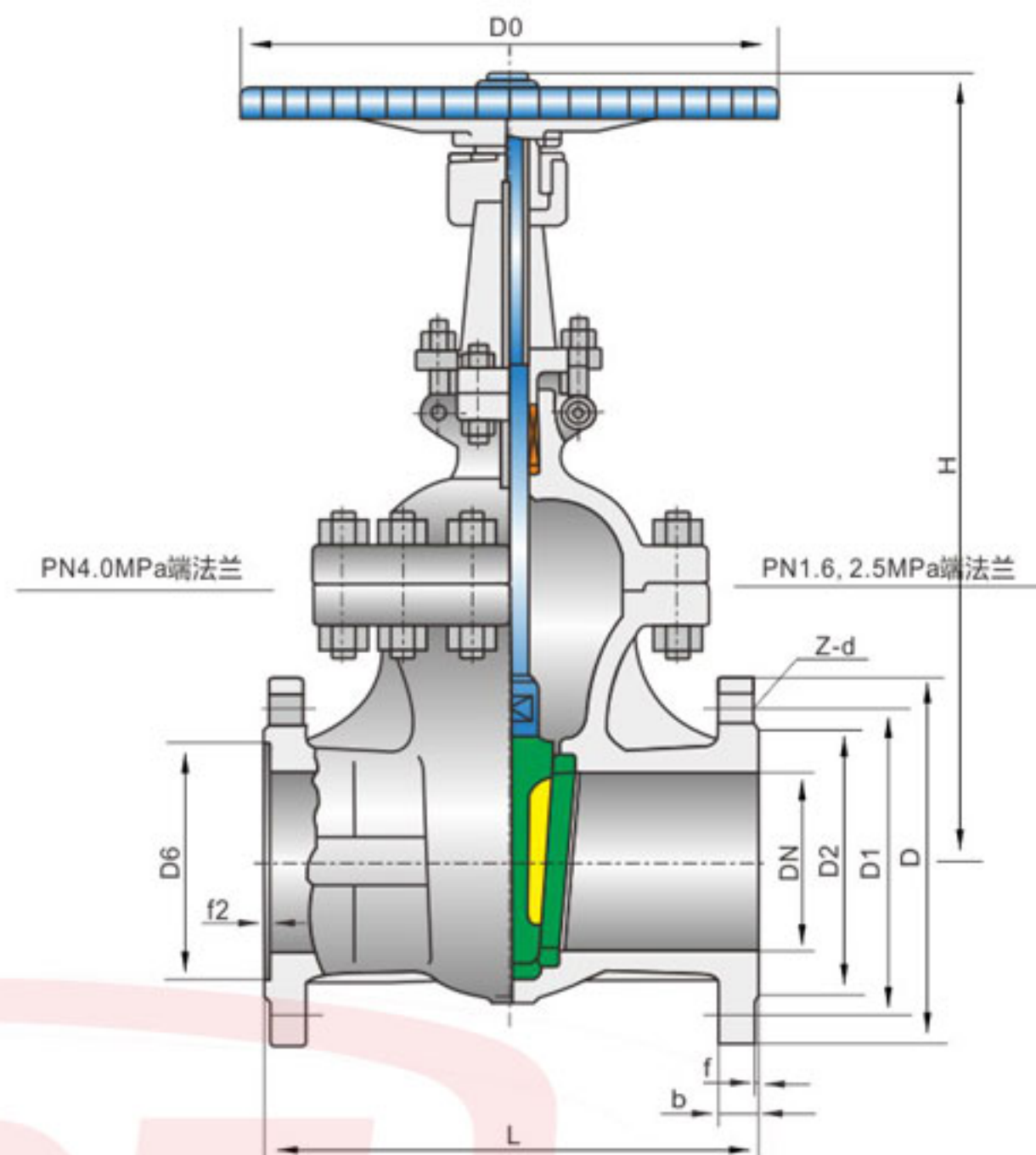
Z41Y-16PI, 25PI, 40PI Z41Y-16PII, 25PII, 40PII Z40Y-16PI, 25PI, 40PI Z40Y-16PII, 25PII, 40PII

主要特点

1. 阀体、阀盖材质为耐热不锈钢材料。
2. 具有耐高温、耐腐蚀的优点，适用于水、蒸汽、烟气、油品或含雾状、粉末状、颗粒状等介质的管路上。

main feature

1. Body, bonnet material for the heat-resistant stainless steel.
2. With high temperature, corrosion-resistant advantages for water, steam, flue gas, oil or mist, powder, granular and other media on the pipeline.



主要性能规范 Main Performance Specifications

1. 试验压力 Test Pressure

试验压力(MPa) test pressure	公称压力PN(MPa)		
	1.6	2.5	4.0
强度试验 Strength test	2.4	3.8	6.0
上密封试验 Back seal test	1.8	2.8	4.4
密封试验 Seal test	1.8	2.8	4.4
气密封试验 Gas seal test	0.5~0.7		

2. 阀体材料及适用范围 Body Material And Its Scope

产品类型 product type	阀体材料 Body material	适用介质 Applicable media	适用温度(°C) Applicable Temp
PI	铬镍钛钢 Cr-Ni-Ti steel	水、蒸汽、烟气、油品或含雾状、粉末状、颗粒状等的介质 Water, steam, flue gas, oil or medium containing mist, powder, granules and the like	≤650
PII	高镍铬钢 high Cr-Mo steel		≤900

注：如有产品参数疑问请致电上海电站阀门有限公司详询，电话：021-59222288

Note: If the product parameters, please call our company detailed inquiry, Tel: 021-59222288

Ultra High Temperature Wedge Gate Valve

• 超高温楔式闸阀

Z41Y-16PI, 25PI, 40PI Z41Y-16PII, 25PII, 40PII Z40Y-16PI, 25PI, 40PI Z40Y-16PII, 25PII, 40PII

主要外形尺寸和连接尺寸 Main Dimensions And Connection Dimensions

公称通径 DN(mm)	主要外形尺寸及连接尺寸(mm) Main dimensions and connection dimensions											重量 WT(kg)
	L	H	D	D1	D2	b	f	D6	f2	z-d	D0	
Z41Y-16PI Z40Y-16PI Z41Y-16PII Z40Y-16PII												
50	250	362	160	125	100	16	3			4-18	250	29
65	270	395	180	145	120	18	3			4-18	250	33
80	280	426	195	160	135	20	3			8-18	300	46
100	300	470	215	180	155	20	3			8-18	300	63
125	325	520	245	210	185	22	3			8-18	350	98
150	350	590	280	240	210	24	3			8-23	350	125
200	400	725	335	295	265	26	3			12-23	400	185
250	450	865	405	355	320	30	3			12-25	450	260
300	500	1000	460	410	375	30	3			12-25	550	365
350	550	1140	520	470	435	34	4			16-25	600	498
400	600	1285	580	525	485	36	4			16-30	650	685
Z41Y-25PI Z40Y-25PI Z41Y-25PII Z40Y-25PII												
50	250	362	160	125	100	20	3			4-18	250	31
65	270	395	180	145	120	22	3			8-18	250	35
80	280	426	195	160	135	22	3			8-18	300	47
100	300	470	230	190	160	24	3			8-23	300	65
125	325	520	270	220	188	28	3			8-25	350	100
150	350	590	300	250	218	30	3			8-25	350	130
200	400	725	360	310	278	34	3			12-25	400	195
250	450	865	425	370	332	36	3			12-30	450	275
300	500	1000	485	430	390	40	4			16-30	550	392
350	550	1140	550	490	448	44	4			16-34	650	535
400	600	1285	610	550	505	48	4			16-34	700	742
Z41Y-40PI Z40Y-40PI Z41Y-40PII Z40Y-40PII												
50	250	362	160	125	100	20	3	88	4	4-18	300	31
65	280	395	180	145	120	22	3	110	4	8-18	300	38
80	310	426	195	160	135	22	3	121	4	8-18	350	51
100	350	470	230	190	160	24	3	150	4	8-23	350	80
125	400	520	270	220	188	28	3	176	4.5	8-25	400	120
150	450	590	300	250	218	30	3	204	4.5	8-25	400	148
200	550	725	375	320	282	38	3	260	4.5	12-30	450	252
250	650	865	445	385	345	42	3	313	4.5	12-34	550	355
300	750	1000	510	450	408	46	4	364	4.5	16-34	650	540
350	850	1440	570	510	465	52	4	422	5	16-34	750	690
400	950	1285	655	585	535	58	4	474	5	16-41	850	960

注：其他规格、压力、结构形式、驱动力式，可在合同中注明

Note: other specifications, pressure, structure, driving force, can be specified in the contract