

# Pound-Grade Globe Valve

## • 磅级截止阀

### 制造验收技术标准

1. 制造验收技术条件按日本火力发电阀门标准E101的规定;
2. 阀门结构长度按E101的规定;
3. 阀体焊接坡口按ANSI B16.25的规定成按用户提供的尺寸;

### Manufacture And Acceptance Standard

1. The manufacture and acceptance specification shall be based on the Japanese standard E101 applied for the thermal power plant.
2. The length shall be in line with E101.
3. Valve body welding groove shall be in accordance with ANSI B16/25 or with user's specification.

### 适用规范 Applicable specification

壳体材料 Shell material	适用温度(°C) Applicable temperature	适用介质 Applicable medium
ASTM A216 WCB	≤425	蒸汽、水 steam, water
ASTM A217 WC1	≤480	
ASTM A217 WC6	≤593	
ASTM A217 WC9	≤649	

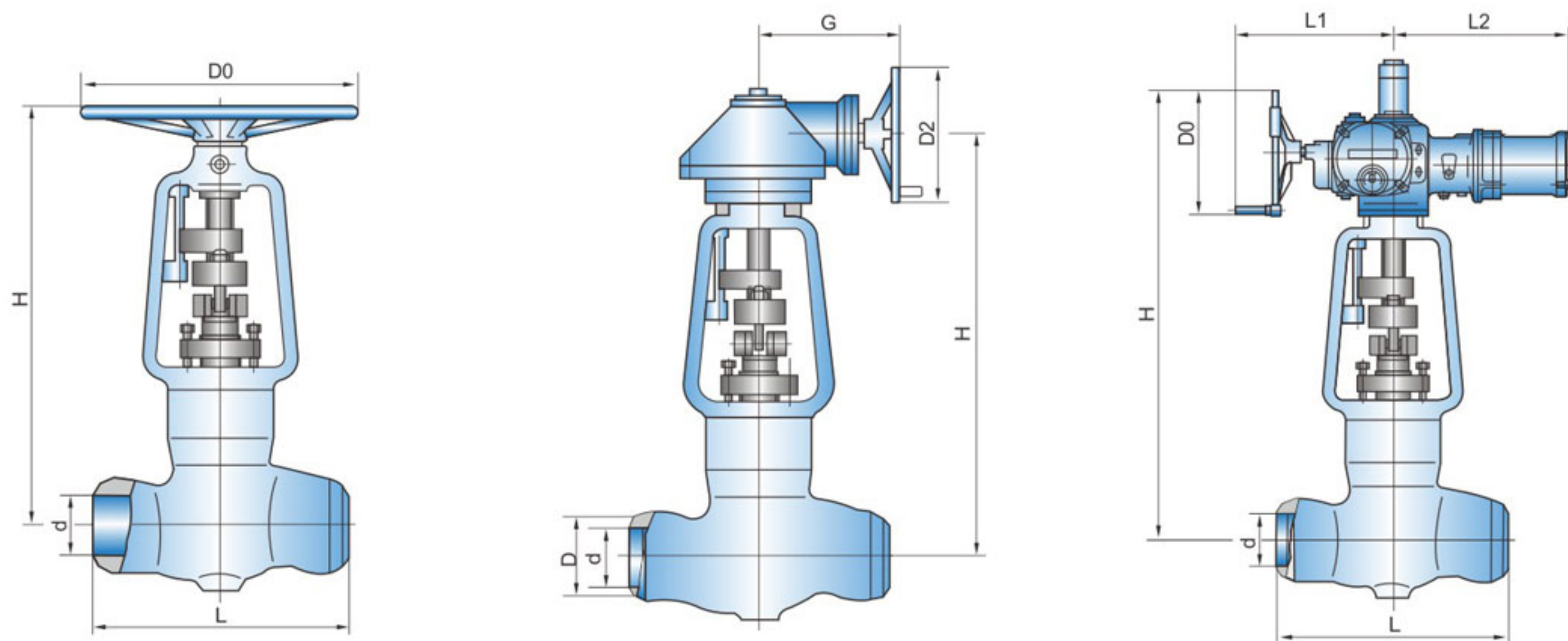
### 主要零件材料 Material Formain Parts

零件名称 Part name	材料牌号 Material designation			
阀体 Body	WCB	WC1	WC6	WC9
阀瓣 Disc	25	12Cr1MoV	12Cr1MoV <sup>®</sup>	12Cr1MoV
阀盖 Bonnet	25	12Cr1MoV	12Cr1MoV	12Cr1MoV
阀座 Seat	25	12Cr1MoV	12Cr1MoV	12Cr1MoV
阀杆 Stem	2Cr13	25Cr2MoV	25Cr2MoV	25Cr2MoV
支架 Yoke	WCB A105	WCB	WCB	WCB
		25	25	25
密封环 Sealing ring				柔性石墨+304 Flexible graphite+304
填料 Packing	增强柔性石墨 Flexible graphite			
阀杆螺母 Valve stem nut	ZQA19-4			
蝶型弹簧 Butterfly spring	60Si2Mn			

注：蝶型弹簧是Y型截止阀零件

Note: butterfly spring is parts for Y type stop valve

## • 磅级截止阀



### 主要外形尺寸和连接尺寸 Main Dimensions And Connection Dimensions

#### J61Y-1500LB

公称通径 DN(in)	d	L	H	D0
3	65	390	820	510
4	80	480	910	560
5	103	580	985	610
6	124	630	1105	800

#### J61Y-2000LB J61Y-2500LB

公称通径 DN(in)	d	L	H	D0		
2 1/2	52△	47*	420	815△	840*	510
3	62△	55*	470	895△	940*	560
4	80△	73*	570	975△	1045*	610
5	98△	88*	660	1045△	1275*	700
6	120△	104*	760	1246△	1400*	800

注Note: △-j61y-2000lb \*j61y-2500lb

#### J61Y-3500LB

公称通径 DN(in)	d	L	H	D0
2 1/2	38	480	890	460
4	48	640	1030	560
5	55	800	1155	610

注：如有产品参数疑问请致电上海电站阀门有限公司详询，电话：021-59222288

Note: If the product parameters, please call our company detailed inquiry, Tel: 021-59222288

# Pound-Grade Globe Valve

## • 磅级截止阀

### 主要外形尺寸和连接尺寸 Main Dimensions And Connection Dimensions

公称通径DN(in)	d	L	H	D0	L1	L2	电动装置 electric driving
<b>J961Y-CL1500</b>							
3	64	390	1030	305	400	555	SMC-00
			1077	305	410	565	SMC-0
4	84	480	1030	305	410	565	SMC-0
			1070	305	420	645	SMC-1
5	100	580	1125	305	420	654	SMC-1
			1135	457	440	688	SMC-2
6	125	630	1681	305	420	654	SMC-1
8	158	770	1860	305	420	654	SMC-1
<b>J961Y-CL2000</b>							
2 1/2	50	420	975	305	410	565	SMC-0
			1015	305	420	654	SMC-1
3	60	470	1060	305	410	565	SMC-0
			1095	305	420	654	SMC-1
4	80	570	1220	305	420	654	SMC-1
			1235	457	440	688	SMC-2
5	96	660	1425	457	440	688	SMC-2
			1500	610	690		SMC-3
6	118	760	1480	457	440	688	SMC-2
			1560	610	690		SMC-3
<b>J961Y-CL2500</b>							
2 1/2	46	420	975	305	410	565	SMC-0
			1015	305	420	654	SMC-1
3	54	470	1065	305	410	565	SMC-0
			1095	305	420	654	SMC-1
4	70	570	1220	305	420	654	SMC-1
			1235	457	440	688	SMC-2
5	88	660	1425	457	440	688	SMC-2
			1500	610	690		SMC-3
6	104	760	1480	457	440	688	SMC-2
			1685	610	690		SMC-3
<b>J961Y-CL3500</b>							
2 1/2	38	480	945	305	400	555	SMC-00
			1025	305	410	565	SMC-0
3	48	640	1150	305	410	565	SMC-0
			1185	305	420	654	SMC-1
4	60	762	1366	305	710	565	SMC-0
			1300	457	440	688	SMC-2
5	74	864	1530	457	440	688	SMC-2
6	88	965	1725	610	690		SMC-3