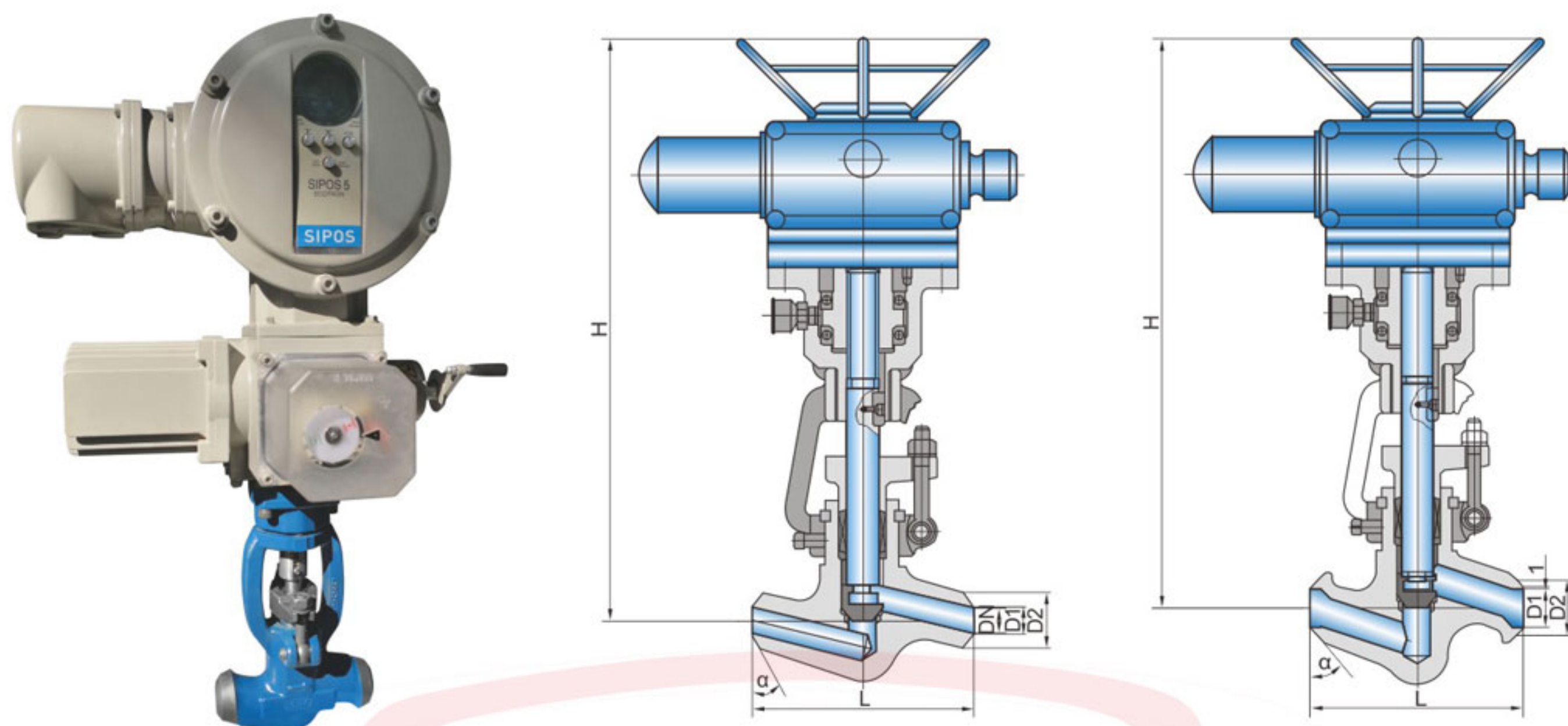


High Temperature High Pressure Trap

• 高温高压电动疏水阀

J961Y-100, 200, 250, 320 J961Y-P54/100V, P54/140V, P54/170V



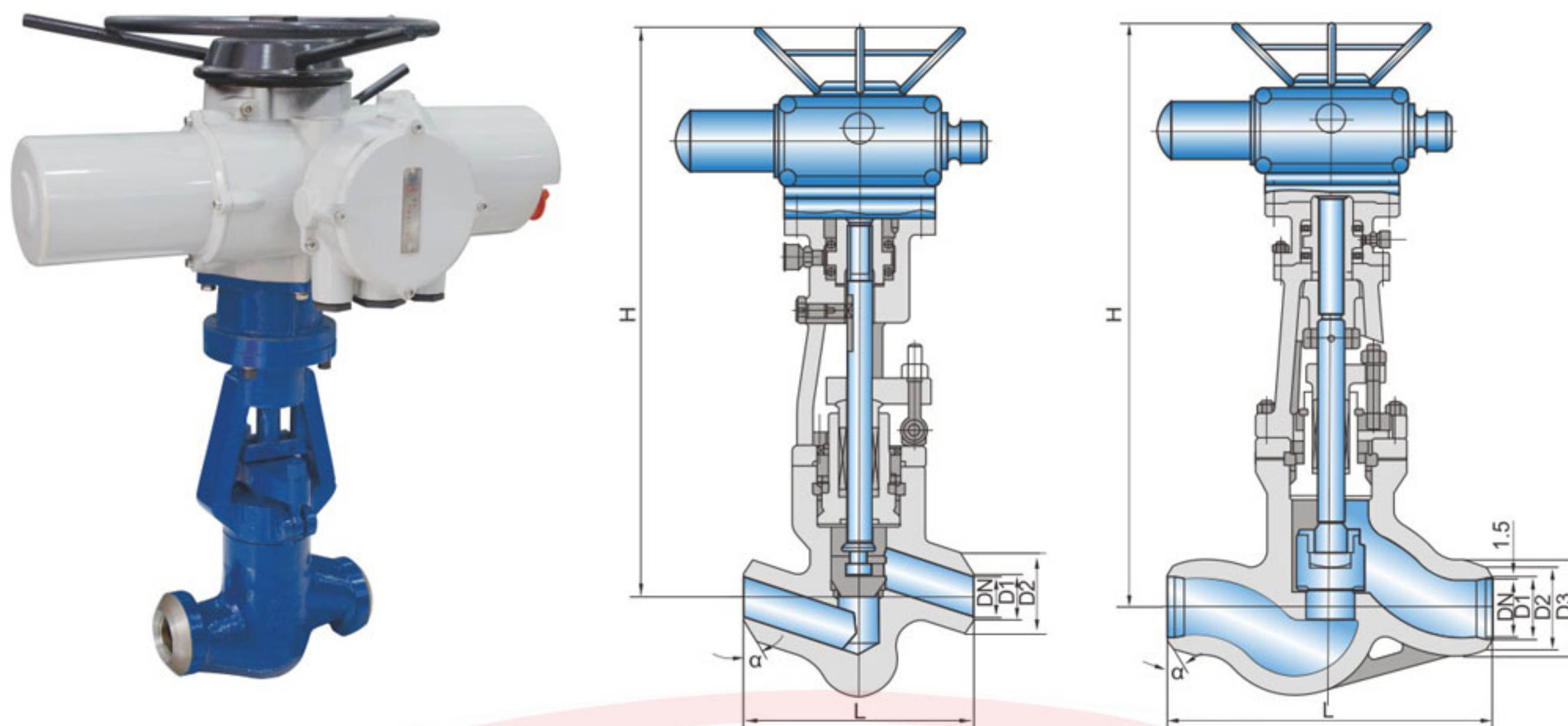
主要性能和使用范围 Main Performance And Scope Of Use

产品型号 Product type	公称压力 PN(MPa)	试验压力 Test Pressure(MPa)		工作压力 Working Pressure(MPa)			工作温度(°C) working temp	适用介质 Applicable medium
		壳体强度 Shell strength	密封 seal	P54	P55	P57		
J961(H, Y)-100	10	15	11	/	/	/	≤450	水、蒸汽、油品 Water, steam, oil
J961(H, Y)-200	20	30	22	/	/	/		
J961(H, Y)-250	25	38	28	/	/	/		
J961(H, Y)-320	32	48	36	/	/	/		
J961Y-P54100V	20	30	22	10	/	/	≤540	蒸汽 steam
J961Y-P54140V	25	38	28	14	/	/		
J961Y-P54170V	32	48	36	17	/	/		
J961Y-P55100V	25	38	28	/	10	/	≤550	
J961Y-P55140V	32	48	36	/	14	/		
J961Y-P55170V	/	53	39	/	17	/		
J961Y-P57100V	/	48	36	/	/	10	≤570	
J961Y-P57140V	/	55	40	/	/	14		
J961Y-P57170V	/	60	44	/	/	17		

注：如有产品参数疑问请致电上海电站阀门有限公司详询，电话：021-59222288

Note: If the product parameters, please call our company detailed inquiry, Tel: 021-59222288

• 高温高压电动疏水阀



主要外形尺寸和连接尺寸 Main Dimensions And Connection Dimensions

公称通径DN	L	D1	D2	D3	α	H
J961(H, Y)-100, 200, 250, 320 J961Y-P54/100V, P54/140V, P54/170V						
15	150	17	36	/	37.5°	518
20	170	22	42	/	37.5°	518
25	170	26	42	/	37.5°	518
32	180	31	44	/	37.5°	560
40	230	38	60	/	37.5°	545
50	320	50	82	/	32°	748
65	330	69	100	110	32°	829
80	470	84	108	130	32°	898
100	560	107	144	165	32°	913
J961Y-P55/100V, P55/140V, P55/170V J961Y-P57/100V, P57/140V, P57/170V						
15	150	17	40	/	37.5°	518
20	170	22	46	/	37.5°	518
25	170	26	46	/	37.5°	518
32	180	31	49	/	37.5°	560
40	230	38	60	/	37.5°	545
50	320	50	90	/	32°	748
65	330	69	104	115	32°	829
80	470	84	110	140	32°	898
100	560	107	148	170	32°	913