

## • Z1仿、Z2仿系列带吹扫孔闸阀

### 主要特点及用途

1. 本系列闸阀主体为楔式单闸板双向密封，结构简单、紧凑、密封可靠。
2. 吹扫装置可对易结焦、颗粒状介质的管路、阀门等进行清洗、冲刷，有效地提高系统的使用寿命。
3. Z1仿、Z2仿系列带吹扫孔闸阀适用于水、蒸汽、烟气、油品或雾状、粉末状、颗粒状等介质的管路上，作为启闭装置用，尤其适用于石化行业输油和催化裂变系统，起启闭、清洗冲刷管道的作用。

### Chief Features And Usages

1. The main body of this series gate valves is of a wedge single-gate dual-direction sealing, simple and compact structure and reliable sealing.
2. The abluion device can be used to clean and wash away the pipelines and valves which are easy charred or contain grain-shaped medium to effectively raise the duration of the system.
3. Suitable to act as the open & close device for the pipelines of water, steam, smoking, oil-goods or the medium in fog, powder or grain-state, especially for the system of oil transportation and catalyzing and cracking in petrochemical trades to open and clean and wash away the pipelines.

### 主要性能规范 Main Performance Specifications

#### 1. 试验压力 Test Pressure

试验压力(MPa)	公称压力(MPa) Nominal pressure				
	1.6	2.5	4.0	6.4	10.0
强度试验 Strength test	2.4	3.8	6.0	9.6	15
上密封试验 Seal test	1.8	2.8	4.4	7	11
密封试验 Seal test	1.8	2.8	4.4	7	11

#### 2. 阀体材料及适用范围 Body Material And Its Scope

产品类型 Product type	阀体材料 Body material	适用介质 Applicable media	适用温度(°C) Applicable Temp
Z1/Z2仿41H-C	WCB	水、蒸汽、烟气、油品或含雾状、粉末状、颗粒状等的介质 Water, steam, flue gas, oil or medium containing mist, powder, granules and the like	≤425
Z1/Z2仿41Y-I	铬钼钢 Cr-Mo steel		≤550
Z1/Z2仿41Y-PI	铬镍钛钢 Cr-Ni-Ti steel		≤650
Z1/Z2仿41Y-P11	高镍铬钢 high Cr-Mo steel		≤900

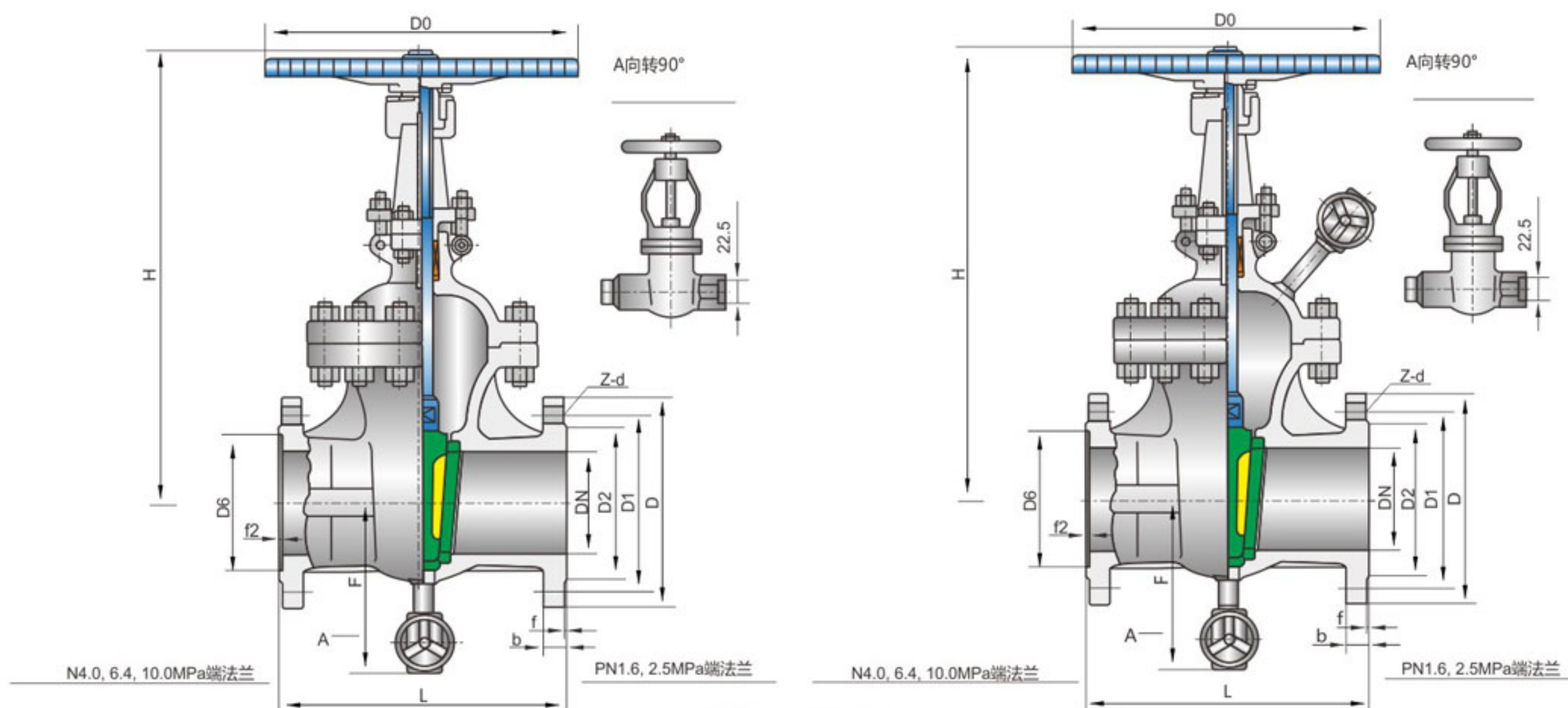
注：如有产品参数疑问请致电上海电站阀门有限公司详询，电话：021-59222288

Note: If the product parameters, please call our company detailed inquiry, Tel: 021-59222288

# Z1, Z2 Forming Series Gate Valves with Ablution Holes

## • Z1仿、Z2仿系列带吹扫孔闸阀

PN1.6, 2.5, 4.0, 6.4, 10.0



### 主要外形尺寸和连接尺寸 Main Dimensions And Connection Dimensions

公称口径 DN(mm)	主要外形尺寸及连接尺寸(mm) Main dimensions and connection dimensions												Z1仿 重量(kg)	Z2仿 重量(kg)
	L	H	D	D1	D2	b	f	D6	f2	F	z-d	D0		
Z1/Z2仿41H-16C Z1/Z2仿41Y-16I Z1/Z2仿41Y-16PI Z1/Z2仿41Y-16PII														
50	250	362	160	125	100	16	3			195	4-18	250	29	32
65	270	395	180	145	120	18	3			202	4-18	250	33	36
80	280	426	195	160	135	20	3			210	8-18	300	46	49
100	300	470	215	180	155	20	3			225	8-18	300	63	66
125	325	520	245	210	185	22	3			242	8-18	350	98	102
150	350	590	280	240	210	24	3			260	8-23	350	125	128
200	400	725	335	295	265	26	3			283	12-23	400	185	188
250	450	865	405	355	320	30	3			310	12-25	450	260	263
300	500	1000	460	410	375	30	3			340	12-25	550	365	368
350	550	1140	520	470	435	34	4			372	16-25	600	498	502
400	600	1285	580	525	485	36	4			405	16-30	650	685	688
Z1/Z2仿41H-25 Z1/Z2仿41Y-25I Z1/Z2仿41Y-25PI Z1/Z2仿41Y-25PII														
50	250	362	160	125	100	20	3			195	4-18	250	31	34
65	270	395	180	145	120	22	3			202	8-18	250	35	38
80	280	426	195	160	135	22	3			210	8-18	300	47	50
100	300	470	230	190	160	24	3			225	8-23	300	65	68
125	325	520	270	220	188	28	3			242	8-25	350	100	103
150	350	590	300	250	218	30	3			260	8-25	350	130	133
200	400	725	360	310	278	34	3			283	12-25	400	195	198
250	450	865	425	370	332	36	3			310	12-30	450	275	278
300	500	1000	485	430	390	40	4			340	16-30	550	392	395
350	550	1140	550	490	448	44	4			372	16-34	650	535	538
400	600	1285	610	550	505	48	4			405	16-34	700	742	745

## • Z1仿、Z2仿系列带吹扫孔闸阀

PN1.6, 2.5, 4.0, 6.4, 10.0

### 主要外形尺寸和连接尺寸 Main Dimensions And Connection Dimensions

公称通径 DN(mm)	主要外形尺寸及连接尺寸(mm) Main dimensions and connection dimensions												Z1仿 重量 WT(kg)	Z2仿 重量 WT(kg)
	L	H	D	D1	D2	b	f	D6	f2	F	z-d	D0		
<b>Z1/Z2仿41H-40 Z1/Z2仿41Y-40I Z1/Z2仿41Y-40PI Z1/Z2仿41Y-40PII</b>														
50	250	362	160	125	100	20	3	88	4	195	4-18	300	33	37
65	280	395	180	145	120	22	3	110	4	202	8-18	300	38	42
80	310	426	195	160	135	22	3	121	4	210	8-18	350	51	55
100	350	470	230	190	160	24	3	150	4.5	225	8-23	350	80	84
125	400	520	270	220	188	28	3	176	4.5	242	8-25	400	120	124
150	450	590	300	250	218	30	3	204	4.5	260	8-25	400	148	152
200	550	725	375	320	282	38	3	260	4.5	283	12-30	450	252	256
250	650	865	445	385	345	42	3	313	4.5	310	12-34	550	355	359
300	750	1000	510	450	408	46	3	364	4.5	340	16-34	650	540	544
350	850	1140	570	510	465	52	4	422	5	372	16-34	750	690	694
400	950	1285	655	585	535	58	4	474	5	405	16-41	850	960	964
<b>Z1/Z2仿41H-64 Z1/Z2仿41Y-64I Z1/Z2仿41Y-64PI Z1/Z2仿41Y-64PII</b>														
50	250	370	175	135	105	26	3	88	4	200	4-23	300	36	39
65	280	405	200	160	130	28	3	110	4	210	8-23	300	45	49
80	310	435	210	170	140	30	3	121	4	215	8-23	350	59	63
100	350	480	250	200	168	32	3	150	4.5	232	8-25	400	90	94
125	400	530	295	240	202	36	3	176	4.5	250	8-30	400	135	139
150	450	605	340	280	240	38	3	204	4.5	268	8-34	450	168	172
200	550	740	405	345	300	44	3	260	4.5	290	12-34	550	280	284
250	650	880	470	400	352	48	3	313	4.5	318	12-41	650	392	396
300	750	1015	530	460	412	54	4	364	4.5	350	16-41	750	585	589
350	850	1160	595	525	475	60	4	422	5	382	16-41	800	740	744
400	950	1310	670	585	525	66	4	474	5	415	16-48	900	190	1014
<b>Z1/Z2仿41H-100 Z1/Z2仿41Y-100I Z1/Z2仿41Y-100PI Z1/Z2仿41Y-100PII</b>														
50	250	370	195	145	112	28	3	88	4	202	4-25	300	38	43
65	280	405	220	170	138	32	3	110	4	215	8-25	300	53	58
80	310	435	230	180	148	34	3	121	4	220	8-25	350	68	73
100	350	480	265	210	172	38	3	150	4.5	240	8-30	400	102	107
125	400	530	310	250	210	42	3	176	4.5	257	8-34	400	150	155
150	450	605	350	290	250	46	3	204	4.5	275	12-34	450	187	192
200	550	740	430	360	312	54	3	260	4.5	298	12-41	550	305	310
250	650	880	500	430	382	60	3	313	4.5	325	12-41	650	425	430
300	750	1015	585	500	442	70	4	364	4.5	360	16-48	750	625	630
350	850	1160	655	560	498	76	4	422	5	395	16-54	850	785	790
400	950	1310	715	620	558	80	4	474	5	428	16-54	950	1055	1060