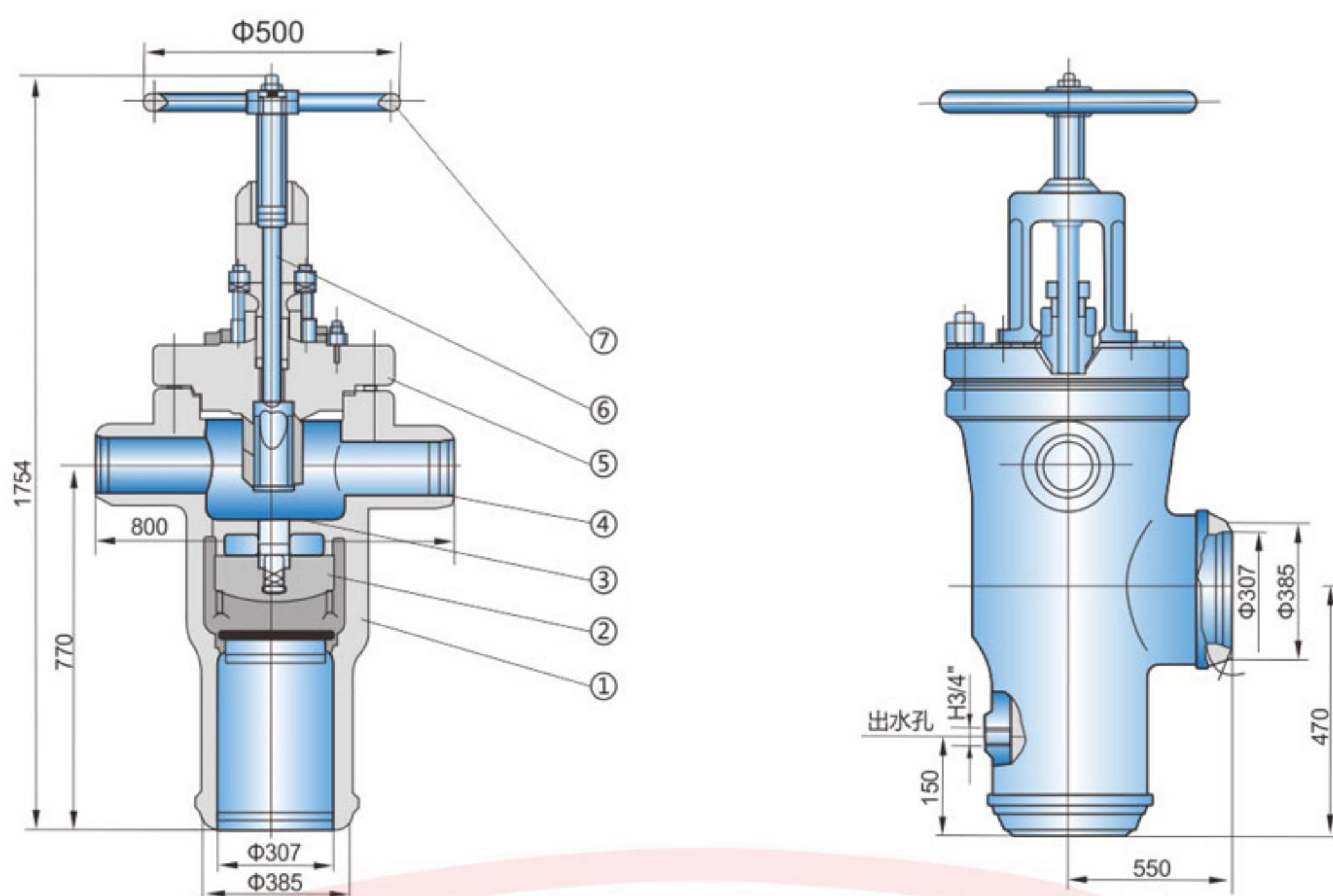


Special Power Station-check Valve

• 电站特殊专用阀门之四止回阀



用途

安装在200MW机组高压加热器出口给水管道上与入口阀配套使用，当入口阀关闭同时止回阀关闭，给水切换到旁路，高压加热器安全解列。

说明

1. 阀门应垂直安装。
2. 阀座密封面采用钴基硬质合金等离子喷焊而成，耐磨抗擦伤性能好。
3. 阀杆表面经抗蚀性氮化处理，具有良好的抗腐蚀性和抗擦伤性。
4. 投运时用手轮将阀杆旋起到最高位置。

Use

Install in 200MW high pressure heater outlet water supply line with inlet valve supporting use, when inlet valve close and check valve close, water supply switch to bypass, high pressure heater security solution column.

Instruction

1. Valve should be installed vertically.
2. The seat sealing surface is made of cobalt base hard alloy plasma, which is good for abrasion resistance and abrasion resistance.
3. The stem surface is treated with corrosion resistance and has good corrosion resistance and abrasion resistance.
4. Use the handwheel to swing the stem to the highest position.

主要零件材料 Material Formain Parts

件号 Part Number	零件名称 Part Name	材料 material
1	阀体 Body	碳钢 Carbon steel
2	阀瓣 Disc	碳钢 Carbon steel
3	阀杆 Stem	渗氮钢 Nitriding steel
4	轴套 Bushings	铝青铜 Aluminum bronze
5	阀盖 Bonnet	碳钢 Carbon steel
6	阀杆 Stem	渗氮钢 Nitriding steel
7	手轮 Hand wheel	铸铁 cast iron

注：如有产品参数疑问请致电上海电站阀门有限公司详询，电话：021-59222288

Note: If the product parameters, please call our company detailed inquiry, Tel: 021-59222288